

Fashion Bed Group

A Division of Leggett & Platt Incorporated
5950 West 51st Street - Chicago, IL 60638

Parts List For Amanda Daybed

PART #368701 HARDWARE BAG

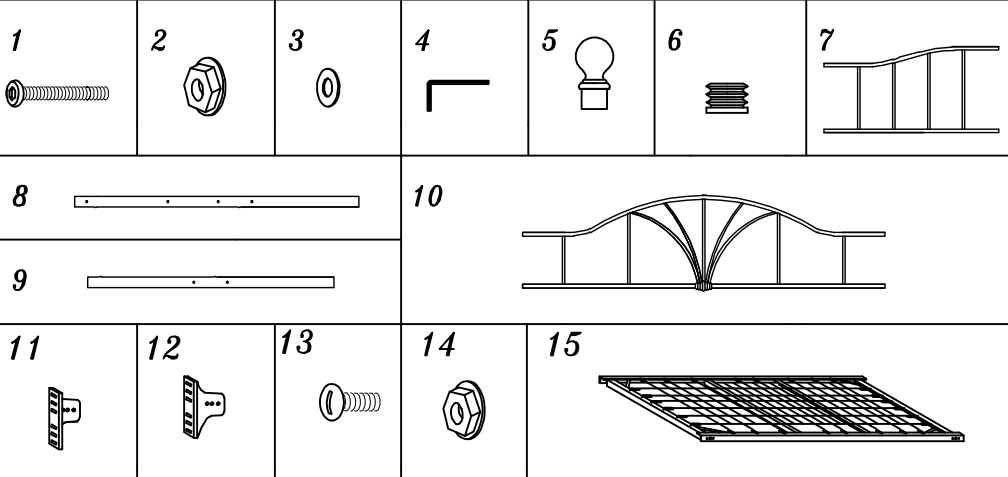
- (1) 6MM X 45MM ALLEN HEAD SCREW-20
- (2) 6MM HEX NUTS-8
- (3) 6MM ID METAL WASHER-16
- (4) ALLEN WRENCH-1
- (5) FINIAL-4 #368702
- (6) PLASTIC GLIDE-4 #368703

DAYBED PARTS:

- (7) SIDE PANEL GRILL-2
- (8) SIDE PANEL BACK POST-2
- (9) SIDE PANEL FRONT POST-2
- (10) BACK PANEL-1

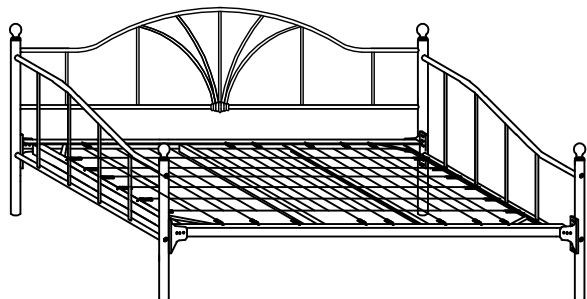
LINK SPRING PARTS:

- (11) LEFT BRACKET-2
- (12) RIGHT BRACKET-2
- (13) 5/16-18 SCREW-4
- (14) 5/16-18 HEX NUT-4
- (15) SUPPORT DECK-1



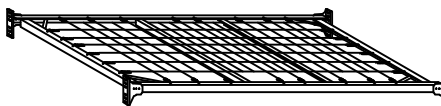
NOTE: PLASTIC GLIDES COME PRE-INSERTED

SAVE ALL PACKAGING MATERIALS UNTIL PRODUCT IS FULLY ASSEMBLED. HARDWARE AND SMALL PIECES MAY NOT BE SEEN AND COULD BE ACCIDENTALLY DISCARDED WITH PACKAGING MATERIALS.

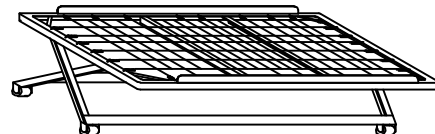


DAYBED FULLY ASSEMBLED

MATTRESS LINK SPRING FULLY ASSEMBLED



OPTIONAL



POP-UP TRUNDLE

Instruction Sheet

- For ease of assembly you will need a helper.
- Periodically retighten all screws.

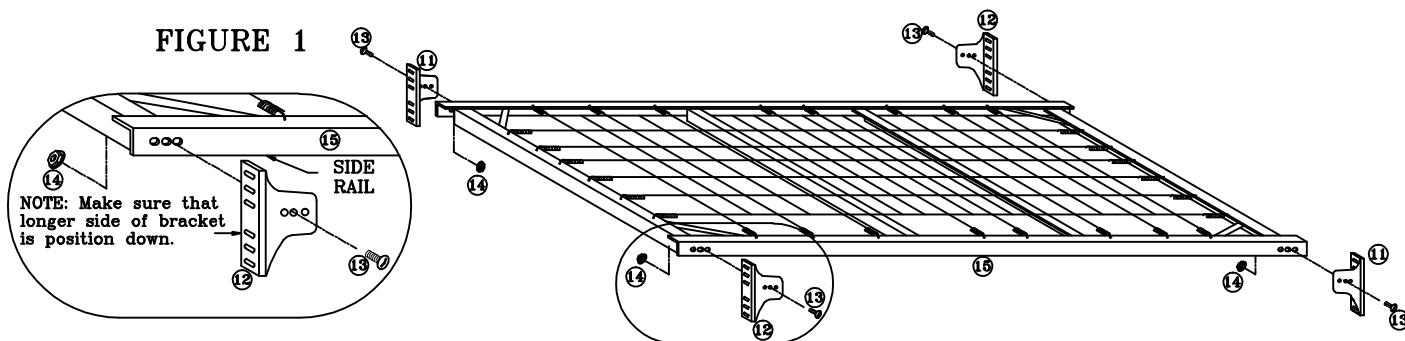
Step 1- Locate Hardware bags for Daybed & Link Spring Assembly

- Hardware bag for daybed assembly is located inside the daybed box.
- Link spring hardware bag located below the link spring cross bar.

Step 2- Link Spring Assembly

- Attach left & right bracket (11&12) to side rails using screw (13) and nuts (14). See Figure 1

FIGURE 1



NOTE: Make sure that longer side of bracket is position down.

Instruction Sheet

Step 3- Assembly Side panel

- Align side panel rail ends (7) to holes in front post (9) and back post (8). SEE FIGURE 2
- Insert screw (1) through holes on opposite side of post.
- Secure post with screw (1) use allen wrench (4).
- Align finial (5) over top of side panel back and front post and press downward. SEE FIGURE 2

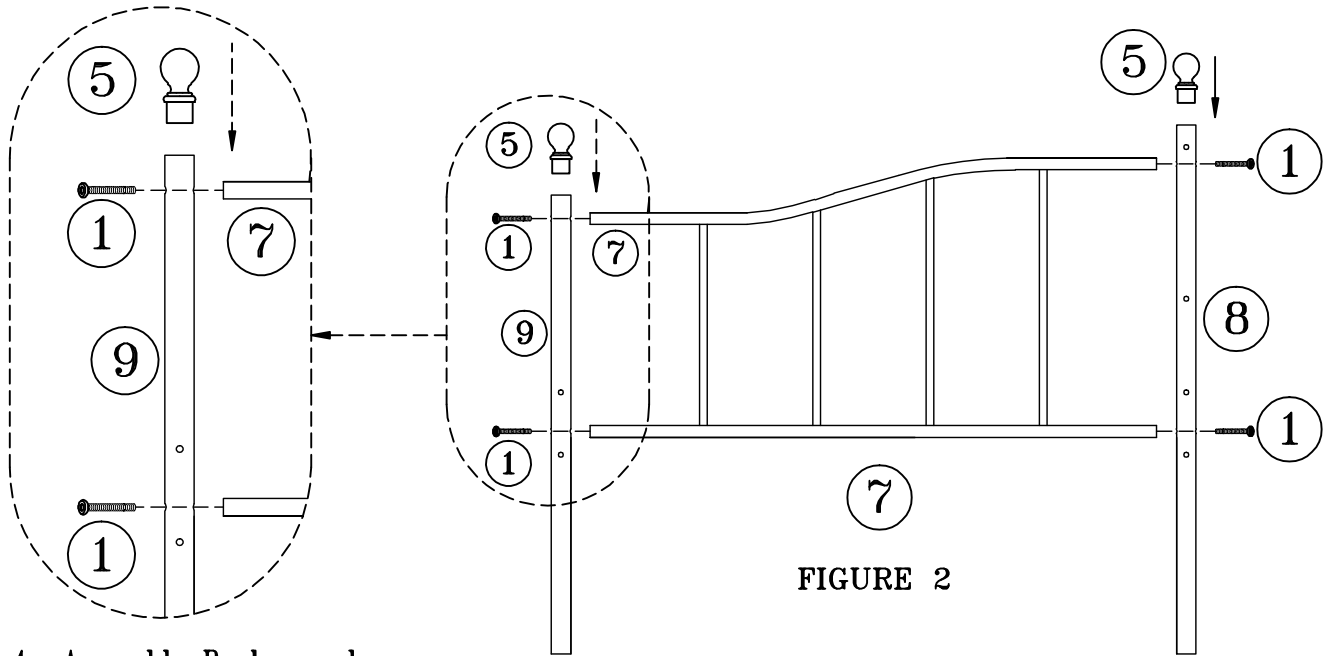


FIGURE 2

Step 4- Assembly Back panel

- Align back rails end (10) to holes in side panel back post (8). SEE FIGURE 3
- Insert screw (1) through holes on opposite side of post into back panel rails.
- Hand tighten. DO NOT TIGHTEN screws all the way use allen wrench (5).
- Repeat on other end of back panel.

NOTES:

- Do not tighten all screws until the mattress support system and the back panel of the daybed have been assembled to the side arms.
- After assembly of the mattress support system and the back panel to the sides tighten all connections
- Periodically retighten all screws.

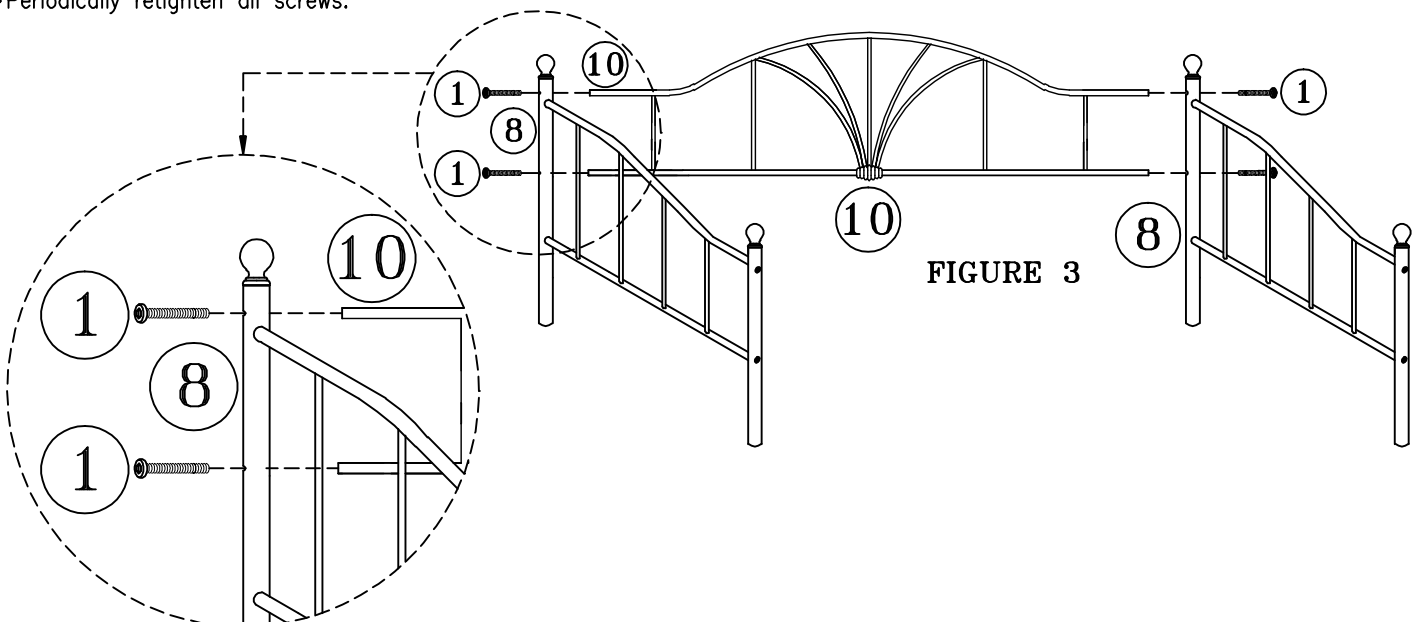


FIGURE 3

Instruction Sheet

Step 5- Assembly Link Spring

- Bolt one end bracket of the mattress support system to one daybed side panel.
- For each post use 2 screws (1) 2 flat metal washers (3), and 2 hex nuts (2), loosely tighten. SEE FIGURE 4
- Repeat on the other daybed post.
- You are ready now for mattress installation.

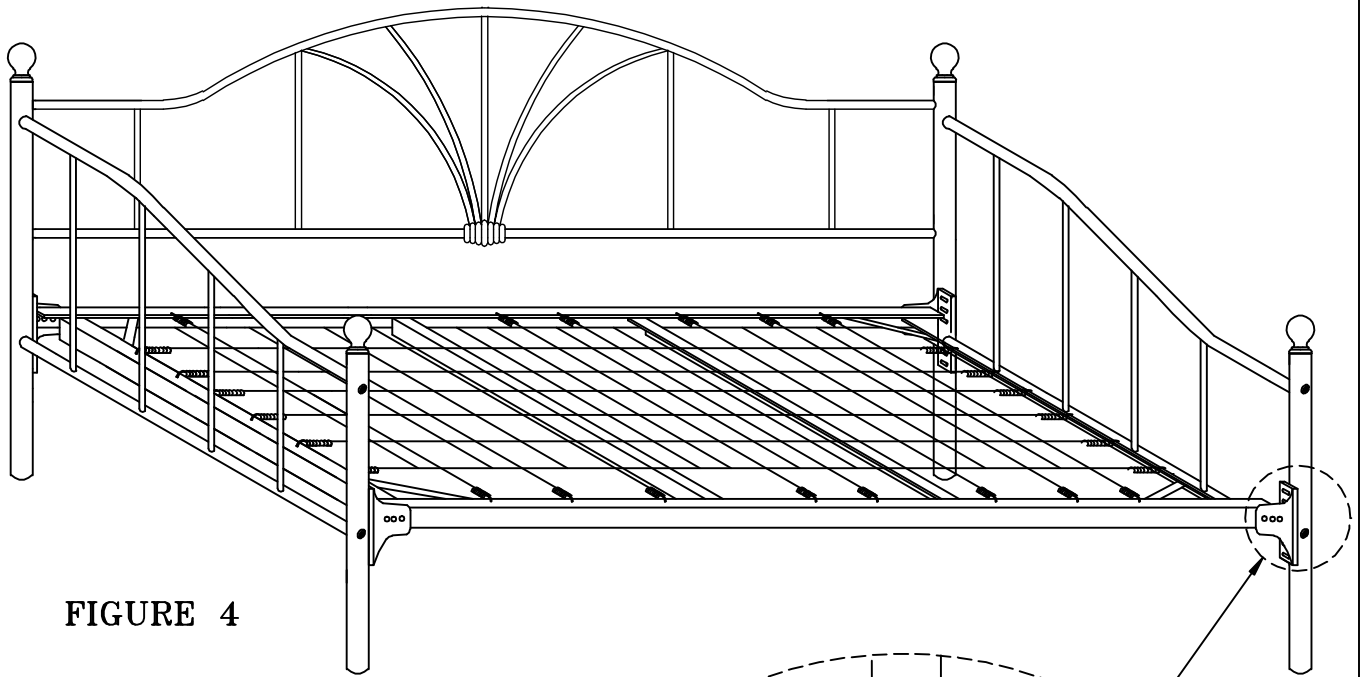
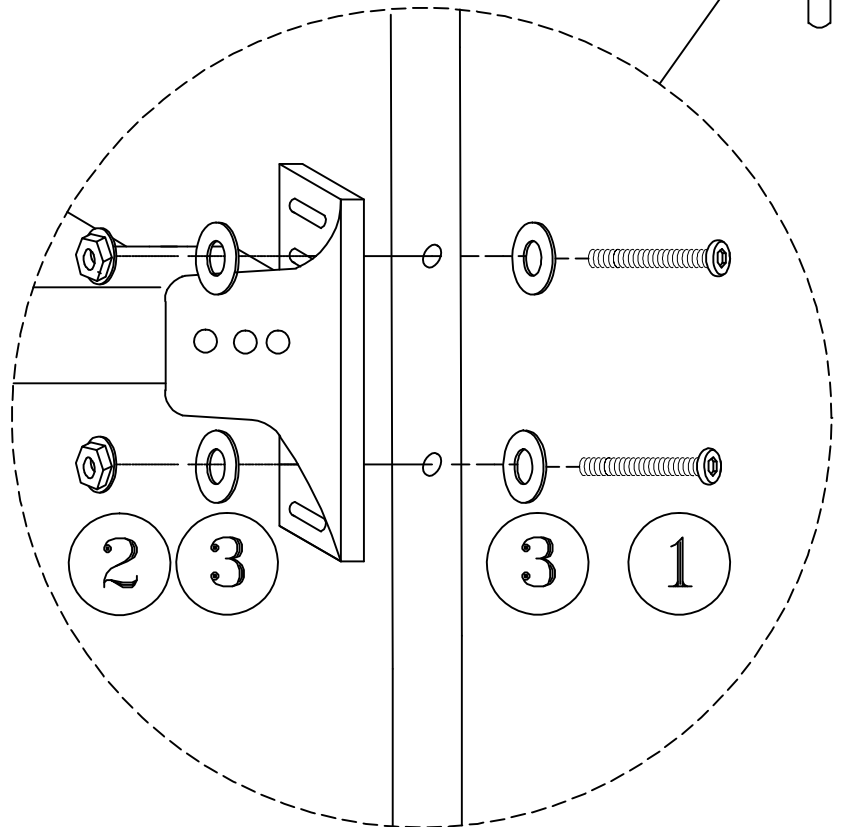


FIGURE 4



FOR ASSISTANCE IN ASSEMBLY ONLY OF THIS PRODUCT. CALL OUR HELP DESK AT 1-800-324-3415, BETWEEN 8:30 AM & 4:30 PM CENTRAL TIME MONDAY THRU FRIDAY. PLEASE HAVE THE STYLE NUMBER AVAILABLE BEFORE YOU CALL. (STYLE # OR NAME CAN BE FOUND ON PACKING CARTON OR SALES RECEIPT.) OUR PRODUCT IS INSPECTED TO ENSURE IT IS IN GOOD CONDITION. IF YOUR FURNITURE APPEARS TO HAVE BEEN DAMAGED IN SHIPMENT OR YOU ARE IN NEED OF REPLACEMENT PARTS PLEASE CONTACT THE DEALER FROM WHOM YOU PURCHASED THE PRODUCT.